

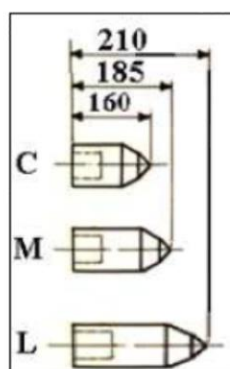
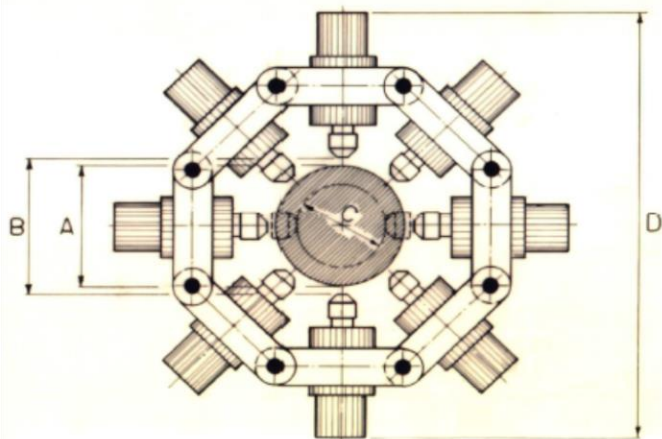


Verdelli International Srl

EQUIPMENT AND SPARE PARTS
LIFTING, PILING, EARTHMOVING MACHINERY
DEMOLITION TOOLS

PILE BREAKER FOR ROUND PILES VIP

MODEL	OIL PRESS.	EXCAV. WEIGHT	OIL FLOW	ELEMENTS	TIP	MESH	WEIGHT	DIMENSIONS (mm)			
	BAR	t	L	NUM.	TYPE	TYPE	kg	A	B	C	D
VIP 300	300	7	80	6A	L210	6A	960	350	400	100	1600
VIP 350	300	7	80	6A	L210	6A	960	350	400	100	1600
VIP 400	300	7	80	6A	M185	6A	960	400	450	150	1660
VIP 450	300	10	80	6A	C160	6A	960	450	500	200	1660
VIP 500	300	10	100	7A	L210	7A	1120	500	560	260	1850
VIP 550	300	10	100	7A	M185	7A	1120	550	610	310	1850
VIP 600	300	13	100	7A	C160	7A	1120	600	660	360	1850
VIP 650	300	13	120	8A	L210	8A	1300	650	750	450	2000
VIP 700	300	13	120	8A	M185	8A	1300	700	800	500	2000
VIP 750	300	13	120	8A	C160	8A	1300	750	850	550	2000
VIP 800	300	13	120	8A	C160	8A	1300	800	850	550	2000
VIP 900	300	15	150	9A	L210	9A	1450	900	1000	700	2000



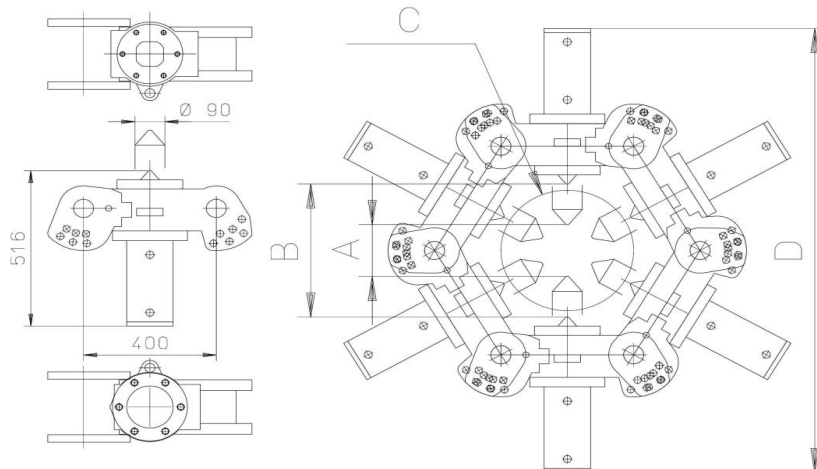


Verdelli International Srl

EQUIPMENT AND SPARE PARTS
LIFTING, PILING, EARTHMOVING MACHINERY
DEMOLITION TOOLS

LIGHT PILE BREAKER FOR ROUND PILES F.P.L.

MODEL	OIL PRESS.	EXCAV. WEIGHT	ELEMENTS	WEIGHT	DIMENSIONS (mm)			
	BAR	t	NUM.	kg	A	B	C	D
F.P.L. 300	300	7	6	710	160	430	300	1460
F.P.L. 350	300	7	6	710	160	430	350	1460
F.P.L. 400	300	7	6	710	160	430	400	1460
F.P.L. 450	300	8	7	870	310	580	450	1600
F.P.L. 500	300	8	7	870	310	580	500	1600
F.P.L. 550	300	8	7	870	310	580	550	1600
F.P.L. 600	300	9	8	980	445	715	600	1750
F.P.L. 650	300	9	8	980	445	715	650	1750
F.P.L. 700	300	10	9	1190	579	849	700	1900
F.P.L. 750	300	10	9	1190	579	849	750	1900
F.P.L. 800	300	10	9	1190	579	849	800	1900
F.P.L. 900	300	15	10	1300	710	980	900	2020
F.P.L. 1000	300	15	11	1410	840	1110	1000	2145



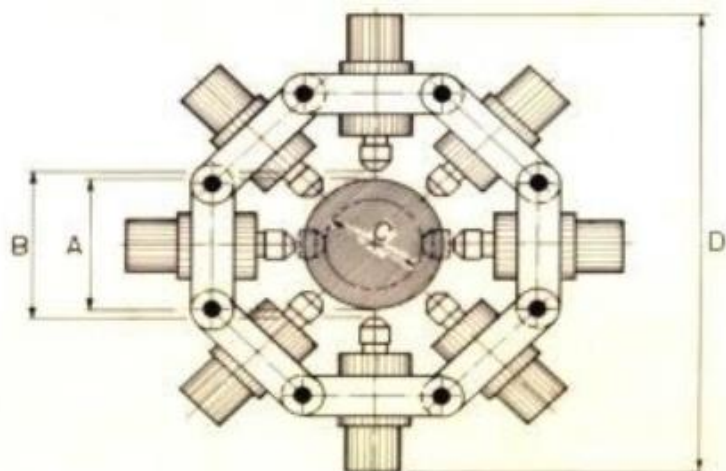


Verdelli International Srl

EQUIPMENT AND SPARE PARTS
LIFTING, PILING, EARTHMOVING MACHINERY
DEMOLITION TOOLS

HEAVY-DUTY PILE BREAKER FOR ROUND PILES VIP-HD

MODEL	OIL PRESS.	EXCAV. WEIGHT	OIL FLOW	ELEMENTS	TIP	WEIGHT	DIMENSIONS (mm)			
	BAR	t	L	NUM.	TYPE	kg	A	B	C	D
VIP-HD 700	300	20	200	8F	M185	1800	700	820	520	2060
VIP-HD 800	300	20	200	8F	C160	1800	800	870	570	2060
VIP-HD 900	300	22	225	9F	M185	2050	900	990	690	2230
VIP-HD 1000	300	22	225	9F	C160	2050	1000	1040	740	2230
VIP-HD 1100	300	25	250	10F	M185	2275	1100	1165	865	2430
VIP-HD 1200	300	25	250	10F	C160	2275	1200	1215	915	2430
VIP-HD 1300	300	28	275	11F	M185	2500	1300	1376	1040	2560
VIP-HD 1400	300	28	275	11F	C160	2500	1400	1430	1090	2560
VIP-HD 1500	300	28	300	12F	C160	2725	1500	1550	1260	2730
VIP-HD 1600	300	30	320	13F	L210	2950	1600	1670	1350	2900
VIP-HD 1700	300	30	320	13F	C160	2950	1700	1770	1450	2900
VIP-HD 1800	300	36	320	14F	M185	3200	1800	1888	1568	3060
VIP-HD 1900	300	36	320	14F	C160	3200	1900	1945	1625	3060
VIP-HD 2000	300	36	350	15F	M185	3425	2000	2060	1740	3230



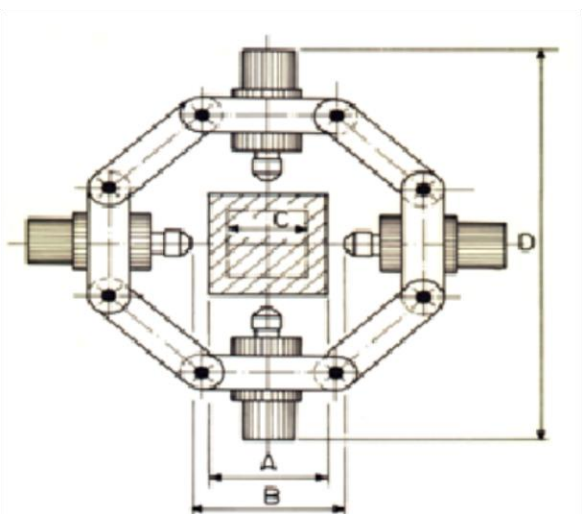


Verdelli International Srl

EQUIPMENT AND SPARE PARTS
LIFTING, PILING, EARTHMOVING MACHINERY
DEMOLITION TOOLS

PILE BREAKER FOR SQUARE PILES F.I.P.Q.

MODEL	OIL PRESS.	EXCAV. WEIGHT	OIL FLOW	ELEMENTS	TIP	MESH	WEIGHT	DIMENSIONS (mm)			
	BAR	t	L	NUM.	TYPE	TYPE	kg	A	B	C	D
F.I.P.Q. 250	300	7	80	4A	L210	4B	660	250	380	80	1600
F.I.P.Q. 300	300	7	80	4A	L210	4B	660	300	380	80	1600
F.I.P.Q. 350	300	7	80	4A	M185	4B	660	350	430	130	1600
F.I.P.Q. 400	300	7	80	4A	C160	4B	660	400	480	180	1600
F.I.P.Q. 450	300	7	80	4A	M185	4BS	680	450	490	190	1700
F.I.P.Q. 500	300	7	80	4A	C160	4BS	680	500	540	240	1700
F.I.P.Q. 500	300	10	120	4D	L210	4E	1100	500	550	250	1800
F.I.P.Q. 550	300	10	120	4D	M185	4E	1100	550	600	300	1800
F.I.P.Q. 600	300	10	120	4D	C160	4E	1100	600	650	350	1800
F.I.P.Q. 650	300	15	120	4D	L210	4B	1000	650	690	390	2000
F.I.P.Q. 700	300	15	120	4D	M185	4B	1000	700	740	440	2000
F.I.P.Q. 750	300	15	120	4D	C160	4B	1000	750	790	490	2000



With this pilebreaker, piles of different size can be broken by changing tips and meshes.

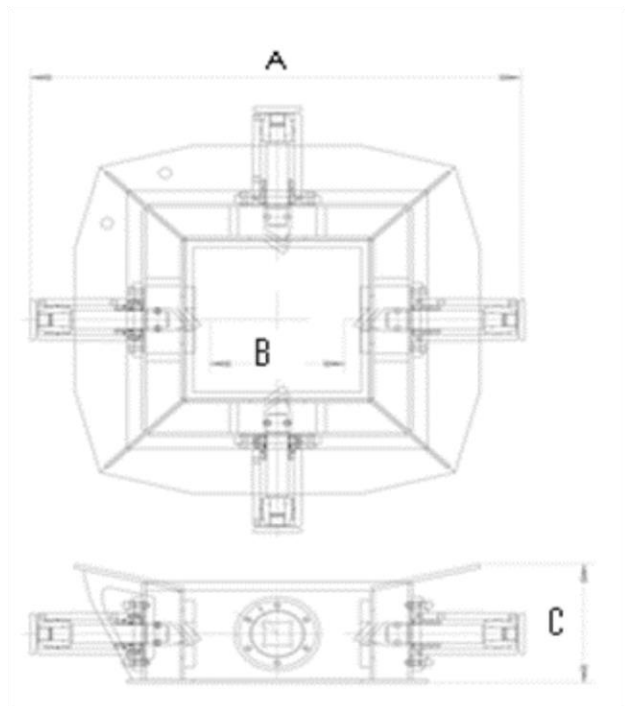


Verdelli International Srl

EQUIPMENT AND SPARE PARTS
LIFTING, PILING, EARTHMOVING MACHINERY
DEMOLITION TOOLS

FIXED PILE BREAKER FOR SQUARE PILES F.I.P.F.

MODEL	OIL PRESS.	EXCAVATOR WEIGHT	OIL FLOW	TIP	WEIGHT	DIMENSIONS (mm)		
	BAR	t	L	TYPE	kg	A	B	C
F.I.P.F. 250-350	320	8	30	L	600	1190	320	360
	320			360				
F.I.P.F. 400-500	320	10	40	C	850	1700	620	480
	320			L			570	
				SL			520	



With this pilebreaker, piles of a more limited range can be broken. Advantages in terms of price.

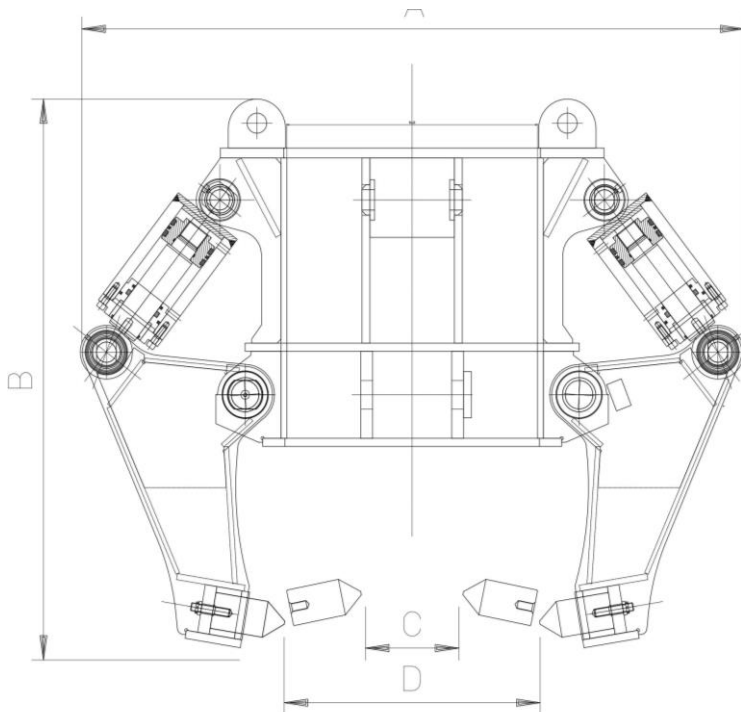


Verdelli International Srl

EQUIPMENT AND SPARE PARTS
LIFTING, PILING, EARTHMOVING MACHINERY
DEMOLITION TOOLS

FIXED PILECROPPER F.I.P.C.

MODEL	OIL PRESS.	EXCAV. WEIGHT	OIL FLOW	WEIGHT	DIMENSIONS (mm)			
	BAR	t	L	kg	A	B	C	D
F.I.P.C. 600	250	13-24	250	1600	1700	1360	260	650
F.I.P.C. 750	250	16-26	250	1750	1850	1450	400	800



This model is suggested for bigger projects.