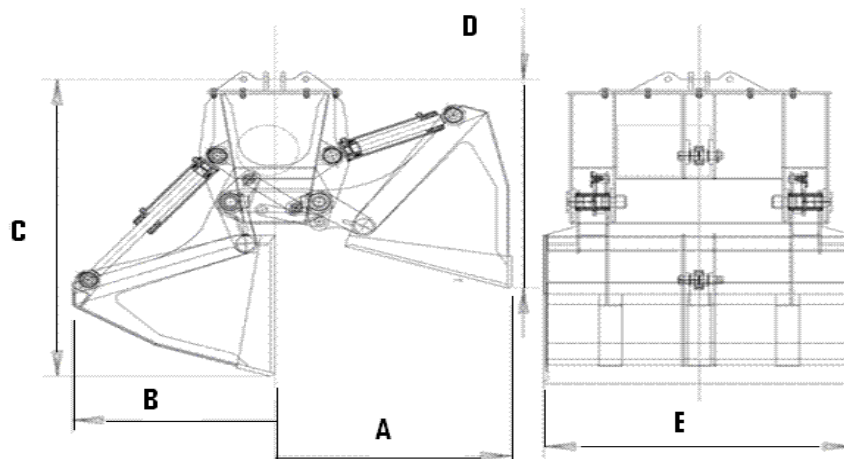


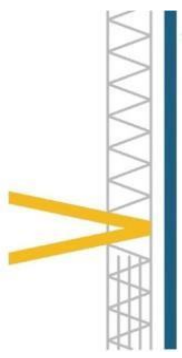
Verdelli International Srl

EQUIPMENT AND SPARE PARTS
LIFTING, PILING, EARTHMOVING MACHINERY
DEMOLITION TOOLS

Electrohydraulic clamshell grab 2 vertical cylinders (SL series - specific weight <math><0,7 \text{ t/m}^3</math>)

MODEL	CAP	ENGINE	PRESSURE	TIME		CLAM POWER	WEIGHT	DIMENSIONS (mm)				
	m ³	KW	kg/cm ²	Op.	Cl.	kg	kg	A	B	C	D	E
M.E.-V. 2/ 1000 SL	1	7,5	150	6"	9"	6000	1600	2300	1950	1900	1500	1400
M.E.-V. 2/ 1500 SL	1,5	11	150	6"	9"	6000	1800	2500	1950	1900	1550	1450
M.E.-V. 2/ 2000 SL	2	11	150	6"	9"	6000	1900	2500	2000	2000	1650	1600
M.E.-V. 2/ 2500 SL	2,5	11	150	6"	9"	6000	2100	2600	2100	2000	1650	1900
M.E.-V. 2/ 3000 SL	3	15	150	10"	14"	6500	2200	2900	2400	2300	1700	2000
M.E.-V. 2/ 3500 SL	3,5	15	150	10"	14"	6500	2500	3000	2600	2300	1800	2000
M.E.-V. 2/ 4000 SL	4	18,5	150	10"	14"	6500	3000	3300	2900	2500	1800	2000
M.E.-V. 2/ 5000 SL	5	18,5	150	10"	14"	6500	3200	3400	2900	2500	1800	2300



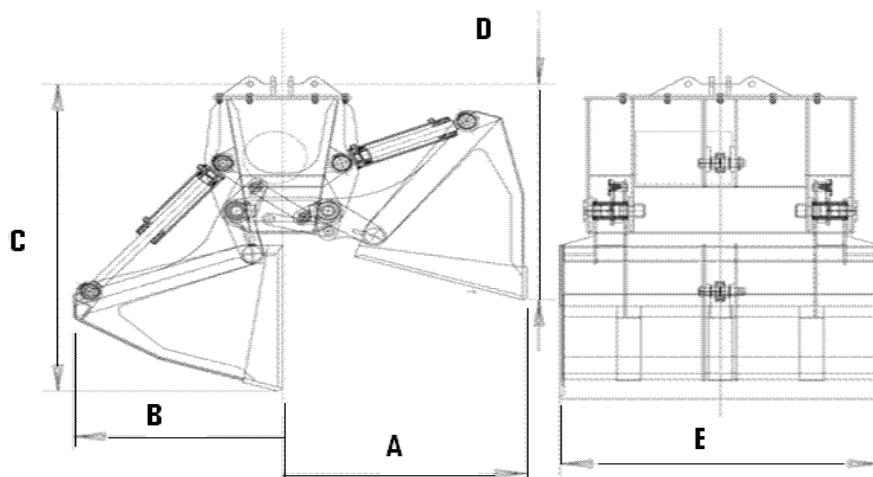


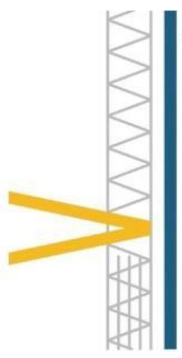
Verdelli International Srl

EQUIPMENT AND SPARE PARTS
LIFTING, PILING, EARTHMOVING MACHINERY
DEMOLITION TOOLS

Electrohydraulic clamshell grab 2 vertical cylinders (L series - specific weight <math><1,4 \text{ t/m}^3</math>)

MODEL	CAP	ENGINE	PRESSURE	TIME		CLAM POWER	WEIGHT	DIMENSIONS (mm)				
	m ³	KW	kg/cm ²	Op.	Cl.	kg	kg	A	B	C	D	E
M.E.-V. 2/ 1000 L	1	11	150	8"	12"	6000	1800	2300	1950	1900	1500	1350
M.E.-V. 2/ 1500 L	1,5	15	150	8"	12"	6000	2000	2500	2100	2000	1550	1450
M.E.-V. 2/ 2000 L	2	15	150	6"	9"	6000	2500	2500	2100	2000	1650	1600
M.E.-V. 2/ 2500 L	2,5	15	150	6"	9"	6000	2800	2600	2300	2100	1700	1900
M.E.-V. 2/ 3000 L	3	18,5	150	6"	10"	6500	3100	2900	2600	2300	1700	2000
M.E.-V. 2/ 3500 L	3,5	18,5	150	6"	10"	6500	3300	3000	2800	2300	1800	2000
M.E.-V. 2/ 4000 L	4	22	150	10"	14"	6500	3850	3300	2900	2500	1800	2000
M.E.-V. 2/ 5000 L	5	22	150	10"	14"	6500	4000	3400	2900	2500	1800	2300



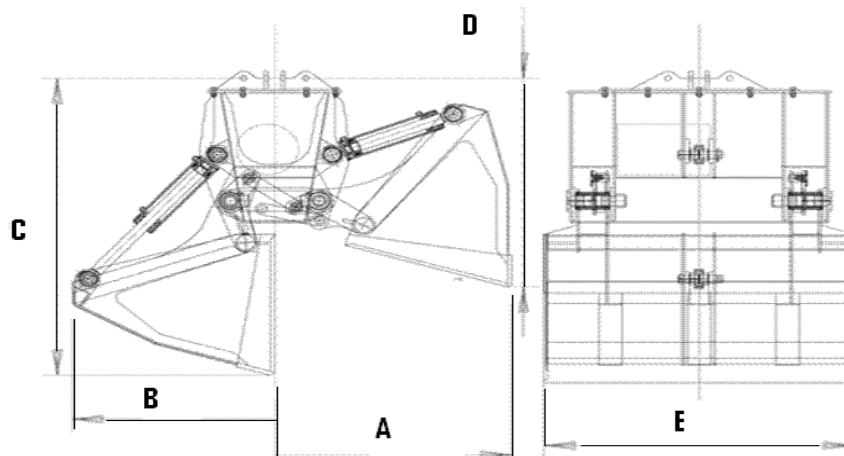


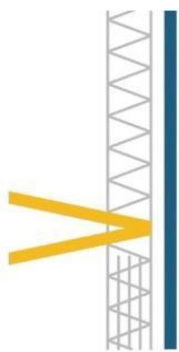
Verdelli International Srl

EQUIPMENT AND SPARE PARTS
LIFTING, PILING, EARTHMOVING MACHINERY
DEMOLITION TOOLS

Electrohydraulic clamshell grab 2 vertical cylinders (P series - specific weight <math><2,4 \text{ t/m}^3</math>)

MODEL	CAP	ENGINE	PRESSURE	TIME		CLAM POWER	WEIGH T	DIMENSIONS (mm)				
	m ³	KW	kg/cm ²	Op.	Cl.	kg	kg	A	B	C	D	E
M.E.-V. 2/ 1000 P	1	15	180	4"	7"	6000	1950	2300	1950	1900	1500	1350
M.E.-V. 2/ 1250 P	1,3	15	180	4"	7"	6000	2100	2500	2100	2000	1550	1450
M.E.-V. 2/ 1500 P	1,5	15	180	4"	7"	6000	2200	2500	2100	2000	1650	1450
M.E.-V. 2/ 2000 P	2	15	180	4"	7"	6000	2500	2500	2100	2100	1650	1600
M.E.-V. 2/ 2500 P	2,5	15	180	6"	9"	6000	3200	2600	2300	2100	1700	1900
M.E.-V. 2/ 3000 P	3	18,5	180	6"	9"	6500	3800	2900	2600	2300	1800	2000
M.E.-V. 2/ 3500 P	3,5	18,5	180	6"	9"	6500	3850	3000	2800	2300	1800	2000
M.E.-V. 2/ 4000 P	4	22	180	7"	10"	6500	3900	3300	2900	2500	1800	2000
M.E.-V. 2/ 5000 P	5	22	180	7"	10"	6500	4200	3400	2900	2500	1900	2300





Verdelli International Srl

EQUIPMENT AND SPARE PARTS
LIFTING, PILING, EARTHMOVING MACHINERY
DEMOLITION TOOLS

Electrohydraulic clamshell grab 2 vertical cylinders (specific weight <math><3,6 \text{ t/m}^3</math>)

MODEL	CAP	ENGINE	PRESSURE	TIME		CLAM POWER	WEIGHT	DIMENSIONS (mm)				
	m ³	KW	kg/cm ²	Op.	Cl.	kg	kg	A	B	C	D	E
M.E.-V. 2/ 300	0,3	7,5	150	5"	6,5"	6000	750	1350	1160	1800	1400	800
M.E.-V. 2/ 400	0,4	7,5	150	5"	6,5"	6000	980	1350	1160	1800	1400	950
M.E.-V. 2/ 500	0,5	7,5	150	5"	6,5"	6000	1050	1450	1400	1850	1500	1000
M.E.-V. 2/ 600	0,6	7,5	150	5"	6,5"	6000	1100	1450	1400	1850	1500	1100
M.E.-V. 2/ 750	0,75	11	150	4"	7"	6000	1200	1500	1450	2000	1600	1150
M.E.-V. 2/ 1000	1	11	150	6"	8"	6000	1250	1800	1570	2100	1600	1100

