

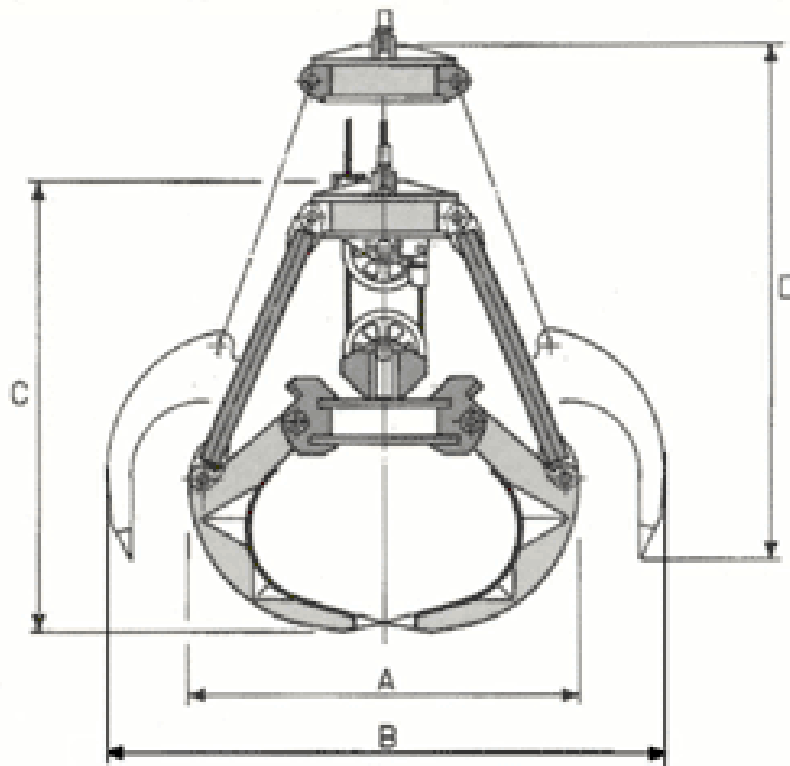


Verdelli International Srl

EQUIPMENT AND SPARE PARTS
LIFTING, PILING, EARTHMOVING MACHINERY
DEMOLITION TOOLS

MECHANICAL ORANGE PEEL GRAB S SERIES - SPECIFIC WEIGHT $\leq 2\text{t/m}^3$

MODEL	CAPAC.	PEEL	ROPE	PULLEYS	PULLEYS	WEIGHT	DIMENSIONS (mm)			
	m ³	N°	Ø	Ø	N°	kg	A	B	C	D
P.M.2- 6/500 S	0.5	6	16	320	4	1500	1700	2500	1980	2090
P.M.2- 6/750 S	0.75	6	16	320	4	2200	1870	2860	2200	2420
P.M.2- 6/1000 S	1	6	18	360	4	2800	1900	3025	2365	2530
P.M.2- 6/1250 S	1.25	6	18	360	4	3000	1980	3300	2475	2695
P.M.2- 6/1500 S	1.5	6	20	400	4	3200	2200	3355	2800	3520
P.M.2- 6/1800 S	1.8	6	20	400	4	3500	2255	3465	2970	3850
P.M.2- 8/2000 S	2	8	22	440	5	3800	2420	3960	3000	4200
P.M.2- 8/2500 S	2.5	8	22	440	5	4000	2750	4620	3150	4350
P.M.2- 8/3000 S	3	8	27	540	5	4200	3410	4650	3300	4620





Verdelli International Srl

EQUIPMENT AND SPARE PARTS
LIFTING, PILING, EARTHMOVING MACHINERY
DEMOLITION TOOLS

P SERIES - SPECIFIC WEIGHT $\leq 4t/m^3$

MODEL	CAPAC.	PEEL	ROPE	PULLEYS	PULLEYS	WEIGHT	DIMENSIONS (mm)			
	m ³	N°	Ø	Ø	N°	kg	A	B	m ³	N°
P.M. 2- 6/ 500 P	0,5	6	16	320	4	1700	1700	2500	1980	2090
P.M. 2- 6/ 750 P	0,75	6	16	320	4	2500	1870	2860	2200	2420
P.M. 2- 6/1000 P	1	6	18	340	4	3000	1900	3025	2365	2530
P.M. 2- 6/1250 P	1,25	6	18	340	4	3100	1980	3300	2475	2695
P.M. 2- 6/1500 P	1,5	6	20	400	4	3100	2200	3355	2800	3740
P.M. 2- 6/1800 P	1,8	6	20	400	4	3800	2255	3465	2970	4180
P.M. 2- 8/2000 P	2	8	22	440	5	4100	2420	3960	3000	4200
P.M. 2- 8/2500 P	2,5	8	22	440	5	4500	2750	4620	3150	4350
P.M. 2- 8/3000 P	3	8	27	540	5	6500	3410	4650	3300	4620
P.M. 2- 8/4000 P	4	8	27	540	6	9000	3500	4700	3900	4650
P.M. 2- 8/5000 P	5	8	27	540	6	10500	3500	4900	3950	4720

