

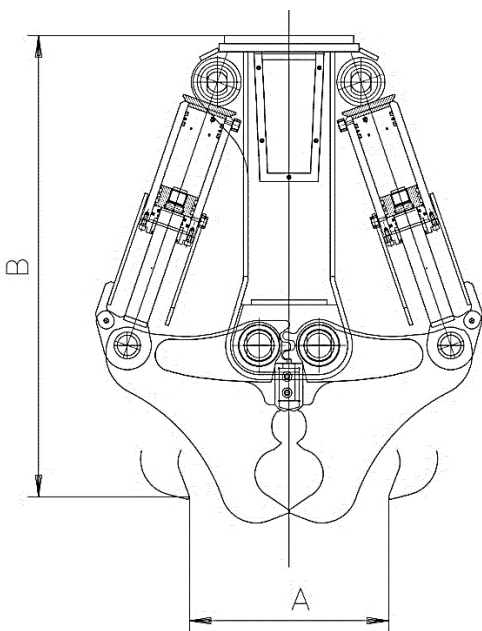


Verdelli International Srl

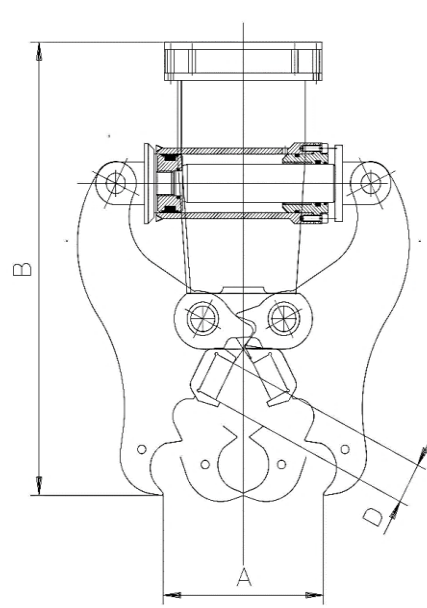
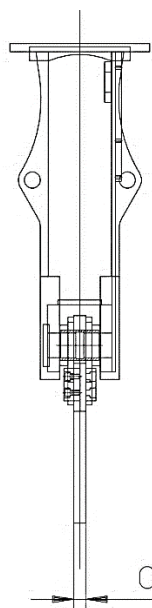
EQUIPMENT AND SPARE PARTS
LIFTING, PILING, EARTHMOVING MACHINERY
DEMOLITION TOOLS

NEW CRUSHER FOR MINI EXCAVATORS - SUITABLE FOR BOOSTER APPLICATION

MODEL	OIL PRESSURE	EXCAVATOR WEIGHT	OIL FLOW	WEIGHT	DIMENSIONS (mm)			
	BAR	TONNES	L	KG	A	B	C	D
P.D.M. 1,5	250	1,4-1,6	30	190	340	900	25	80
P.D.M. 2	250	1,6-1,8	30	220	400	900	25	80
P.D.M. 3	250	3,6-4,4	48	320	450	1200	30	80
P.D.M. 5	300	6,5-8,5	80	500	500	1200	30	80



P.D.M. 1,5 - P.D.M. 2



P.D.M. 3 - P.D.M. 5

