

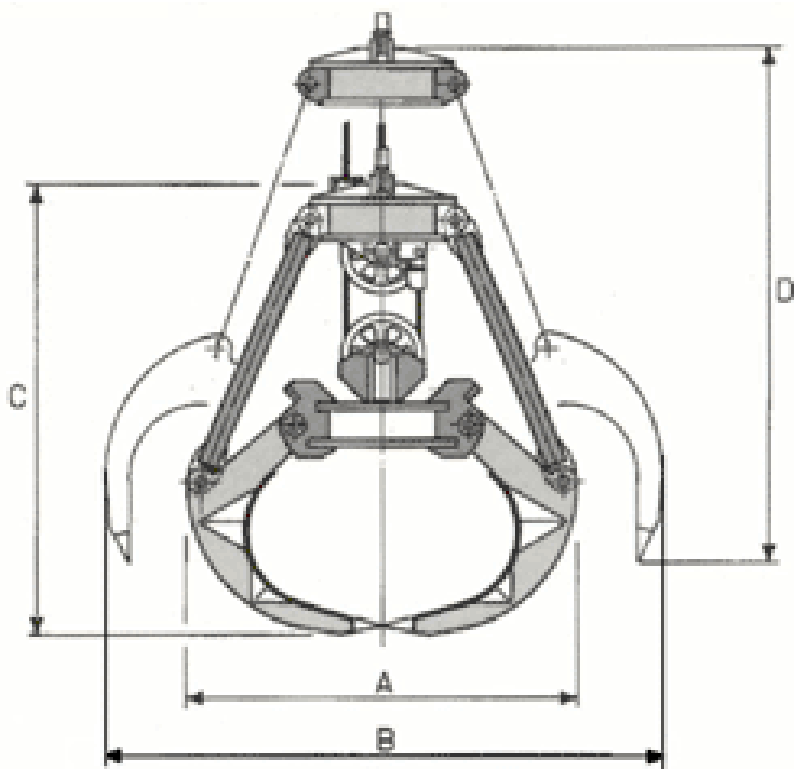


# Verdelli International Srl

EQUIPMENT AND SPARE PARTS  
LIFTING, PILING, EARTHMOVING MACHINERY  
DEMOLITION TOOLS

## POLIPO MECCANICA SERIE S - PESO MATERIALE FINO A 2 t/m<sup>3</sup>

MODELLO	CAPAC.	VALVE	FUNE	PULEGGIE	PULEGGIE	PESO	DIMENSIONI (mm)			
	m <sup>3</sup>	N°	Ø	Ø	N°	kg	A	B	C	D
P.M.2- 6/ 500 S	0.5	6	16	320	4	1500	1700	2500	1980	2090
P.M.2- 6/ 750 S	0.75	6	16	320	4	2200	1870	2860	2200	2420
P.M.2- 6/ 1000 S	1	6	18	360	4	2800	1900	3025	2365	2530
P.M.2- 6/ 1250 S	1.25	6	18	360	4	3000	1980	3300	2475	2695
P.M.2- 6/ 1500 S	1.5	6	20	400	4	3200	2200	3355	2800	3520
P.M.2- 6/ 1800 S	1.8	6	20	400	4	3500	2255	3465	2970	3850
P.M.2- 8/ 2000 S	2	8	22	440	5	3800	2420	3960	3000	4200
P.M.2- 8/ 2500 S	2.5	8	22	440	5	4000	2750	4620	3150	4350
P.M.2- 8/ 3000 S	3	8	27	540	5	4200	3410	4650	3300	4620



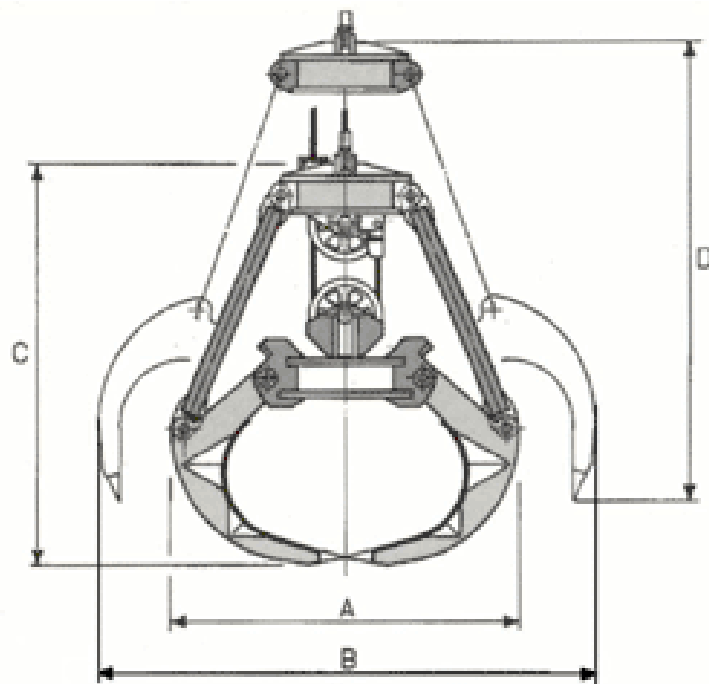


# Verdelli International Srl

EQUIPMENT AND SPARE PARTS  
LIFTING, PILING, EARTHMOVING MACHINERY  
DEMOLITION TOOLS

## SERIE P PESO MATERIALE FINO A 4 t/m<sup>3</sup>

MODELLO	CAPAC.	VALVE	FUNE	PULEGGIE	PULEGGIE	PESO	DIMENSIONI (mm)			
	m <sup>3</sup>	No.	Ø	Ø	No.	kg	A	B	C	D
P.M. 2- 6/ 500 P	0,5	6	16	320	4	1700	1700	2500	1980	2090
P.M. 2- 6/ 750 P	0,75	6	16	320	4	2500	1870	2860	2200	2420
P.M. 2- 6/1000 P	1	6	18	340	4	3000	1900	3025	2365	2530
P.M. 2- 6/1250 P	1,25	6	18	340	4	3100	1980	3300	2475	2695
P.M. 2- 6/1500 P	1,5	6	20	400	4	3100	2200	3355	2800	3740
P.M. 2- 6/1800 P	1,8	6	20	400	4	3800	2255	3465	2970	4180
P.M. 2- 8/2000 P	2	8	22	440	5	4100	2420	3960	3000	4200
P.M. 2- 8/2500 P	2,5	8	22	440	5	4500	2750	4620	3150	4350
P.M. 2- 8/3000 P	3	8	27	540	5	6500	3410	4650	3300	4620
P.M. 2- 8/4000 P	4	8	27	540	6	9000	3500	4700	3900	4650
P.M. 2- 8/5000 P	5	8	27	540	6	10500	3500	4900	3950	4720





# Verdelli International Srl

EQUIPMENT AND SPARE PARTS  
LIFTING, PILING, EARTHMOVING MACHINERY  
DEMOLITION TOOLS

## SERIE HD PESO MATERIALE FINO A 5 t/m<sup>3</sup>

MODELLO	CAPAC.	VALVE	FUNE	CARR.	CARR.	PESO	DIMENSIONI (MM)			
	m <sup>3</sup>	n°	DIAM.	DIAM.	n°	kg*	A	B	C*	D*
P.M.2 - 500/6 HD	0.5	6	16	320	5	1600	1700	2475	1980	2090
P.M.2 - 750/6 HD	0.75	6	15	360	5	2000	1870	2860	2200	2420
P.M.2 - 1000/6 HD	1	6	22	440	5	2400	1900	3025	2365	2530
P.M.2 - 1250/6 HD	1.25	6	22	440	5	3200	1980	3300	2475	2700
P.M.2 - 1500/6 HD	1.5	6	26	520	5	4000	2200	3355	2800	3080
P.M.2 - 1800/6 HD	1.8	6	28	560	5	4800	2255	3465	2970	3300
P.M.2 - 2000/8 HD	2	8	30	600	6	5600	2420	3960	2035	3410
P.M.2 - 2500/8 HD	2.5	8	30	600	6	6800	2750	4620	2135	3740
P.M.2 - 3000/8 HD	3	8	33	600	6	8000	3410	3960	3300	4180
P.M.2 - 4000/8 HD	4	6	33	600	6	8000	3410	4320	3560	4300

